

## ■ Projector tables



Page  
58 - StandMaster I  
58 - StandMaster II



59 - Gigant



59 - TeleMaster



60 - Solo 8000  
60 - Solo 9000



61 - Universo  
61 - Classico  
62 - Stabilo  
62 - Solo



## ■ StandMaster I



- ▲ High quality, portable projector table for professional projection presentations at any desired location.

### Features

Reliable and solid projector table in streamlined design.

Well designed and easy to operate.

Easy, continuous height adjustment with built-in pneumatic spring.

With two fold-away shelves for projector and notebook.

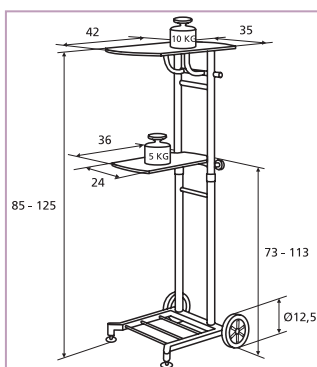
Rotating and continuous height adjustable lower shelf for notebook.

Large wheels provide easy mobility.

Also suitable as caddy for transport of notebook/projector.

### Technical characteristics

- ▶ Sturdy steel frame powder coated in dark grey (RAL 7021).
- ▶ Stylish easy-to-clean shelves in light grey (RAL 7035).
- ▶ Large wheels Ø12.5 cm.
- ▶ Easy to assemble.



| Type           | Dark grey frame<br>prod. code | Net weight<br>in kg |
|----------------|-------------------------------|---------------------|
| StandMaster IA | 11200040                      | 13                  |

## ■ StandMaster II



- ▲ Solid portable projector table suitable for large projectors.

### Features

Robust stable projector table for large projectors (max. 25 kg).

Well designed and easy to operate.

Continuous height adjustment with crank mechanism.

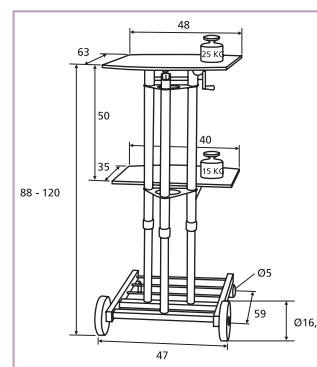
Large upper shelf inclinable to 15°.

Large, removable and transferable lower shelf for notebook or dvd/video equipment.

Large wheels in front and casters behind provide easy mobility.

### Technical characteristics

- ▶ Sturdy steel frame powder coated in dark grey (RAL 7021).
- ▶ Stylish, easy-to-clean shelves in light grey (RAL 7035).
- ▶ Extra large wheels Ø16.5 cm.
- ▶ Easy to assemble.

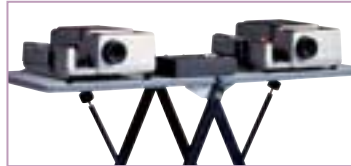


| Type            | Dark grey frame<br>prod. code | Net weight<br>in kg |
|-----------------|-------------------------------|---------------------|
| StandMaster IIA | 11200042                      | 23                  |

## ■ Gigant



▲ Stable and safe projector table with two shelves is suitable for LCD and/or slide projectors.



### Features

Sturdy projector table with adjustable feet for extra stability.

Upper shelf/shelves inclinable and can be folded.

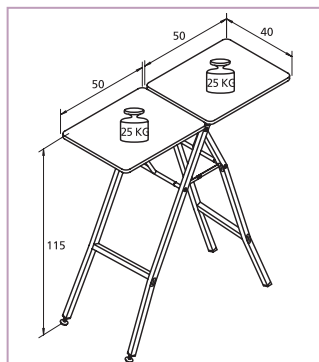
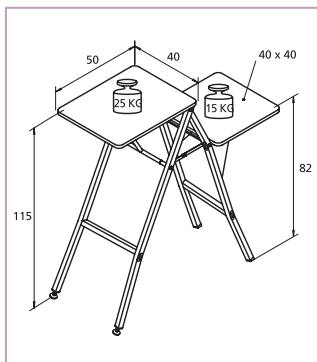
Simple and compact to fold.

### Options

- ▶ Type I has one inclinable and fold-away upper shelf plus fold-away lower shelf and type II has two inclinable and fold-away upper shelves for two (slide) projectors.

### Technical characteristics

- ▶ Sturdy steel frame, powder coated in dark grey (RAL 7021).
- ▶ Stylish easy-to-clean shelf/shelves in light grey (RAL 7035) with anti-slip top surface and a raised edge all around.
- ▶ Easy to assemble.



| Type      | Dark grey frame prod. code | Net weight in kg |
|-----------|----------------------------|------------------|
| Gigant I  | 11200036                   | 10               |
| Gigant II | 11200037                   | 11               |

## ■ TeleMaster



▲ Lightweight projector table with one shelf, easy to transport, and ideal for projection presentations at any desired location.



### Features

Four telescopic legs guarantee optimum stability.

Each leg is height adjustable and inclinable in every required position.

Practical plastic projector shelf with handle.

Telescopic legs can be screwed off, clamped under the shelf forming a small lightweight unit.

### Options

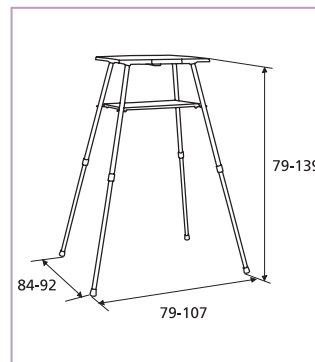
- ▶ Type I has a large upper shelf (65x45cm) and type II has a compact upper shelf (48x29cm).

### Accessories

- ▶ Extra lower shelf.  
11830001 light grey

### Technical characteristics

- ▶ Aluminium, telescopic legs (min. 80 cm and max. 140 cm length).
- ▶ Durable easy-to-clean plastic shelf with anti-slip surface.
- ▶ Easy to assemble.



| Type          | Aluminium frame prod. code | Net weight in kg | Projector shelf size lwx cm | Projector shelf capacity in kg |
|---------------|----------------------------|------------------|-----------------------------|--------------------------------|
| TeleMaster I  | 11230083                   | 6                | 64x45                       | 20                             |
| TeleMaster II | 11230085                   | 5                | 48x29                       | 20                             |

## ■ Solo 8000



- ▲ Basic model portable projector table with one shelf suitable for all of the portable projectors.

### Features

Sturdy portable construction with one projector shelf.

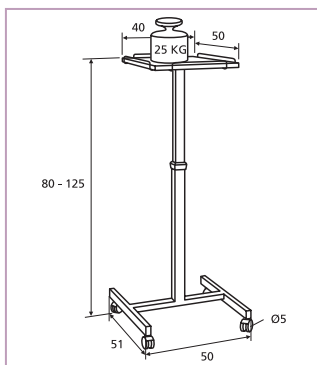
Fixed upper shelf with extra shelf rail to protect the projector.

Height adjustable using star wheel knobs.

Four casters make moving a snap.

### Technical characteristics

- ▶ Sturdy steel frame, powder coated in dark grey (RAL 7021).
- ▶ Light grey shelf/shelves (RAL 7035) with anti-slip surface and raised edges all around.
- ▶ Easy to assemble.



| Type      | Dark grey frame product code | Net weight in kg |
|-----------|------------------------------|------------------|
| Solo 8000 | 11200038                     | 11               |

## ■ Solo 9000



- ▲ Functional portable projector table with one shelf, easily inclinable and continuous height adjustable.

### Features

Sturdy portable construction with one projector shelf.

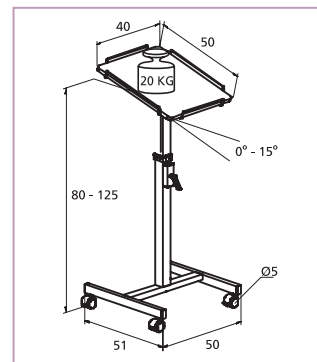
Inclinable upper shelf with extra shelf rail to protect the projector.

Easy and continuous height adjustment.

Four casters make moving a snap.

### Technical characteristics

- ▶ Sturdy steel frame, powder coated in dark grey (RAL 7021).
- ▶ Light grey shelf/shelves (RAL 7035) with anti-slip surface and raised edges all around.
- ▶ Easy to assemble.



| Type      | Dark grey frame product code | Net weight in kg |
|-----------|------------------------------|------------------|
| Solo 9000 | 11200039                     | 11               |

## ■ Universo



- ▶ **Contemporary overhead projector table with two flexible shelves.**

### Features

**Solid OHP table with two shelves.**

**Height adjustable shelves.**

**Suitable for all contemporary OHP projectors.**

**Four casters make moving easy.**

### Options

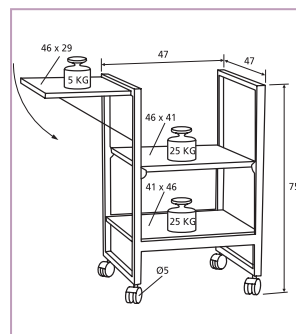
- ▶ White frame with light grey shelves.

### Accessories

- ▶ Extra middle shelf, height adjustable.  
11820004 light grey
- ▶ Extra side shelf.  
11820003 light grey

### Technical characteristics

- ▶ Sturdy steel frame, powder coated in white (RAL 9016).
- ▶ Stylish easy-to-clean shelves in light grey (RAL 7035).
- ▶ Easy to assemble.



| Type          | White frame & light grey shelves product code | Net weight in kg |
|---------------|---|------------------|
| Universo 1000 | 11200030                                      | 11               |

## ■ Classico



- ▶ **Height adjustable overhead projector table with two shelves with unprecedented load bearing capacity and stability.**

### Features

**Durable construction with steel frame around the shelves.**

**Table is height adjustable for ideal working posture.**

**A fixed lower shelf and a removable upper shelf for portable OHP projector.**

**High load bearing capacity is suitable for all OHP projector types.**

**Large wheels provide easy mobility.**

### Options

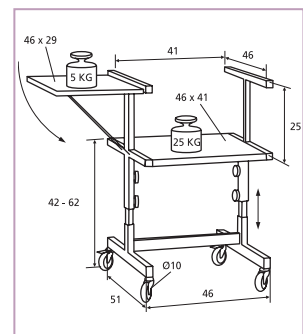
- ▶ White frame with light grey shelves.

### Accessories

- ▶ Extra side shelf.  
11800003 light grey

### Technical characteristics

- ▶ Sturdy steel frame, powder coated in white (RAL 9016).
- ▶ Stylish easy-to-clean shelves in light grey (RAL 7035).
- ▶ Large wheels Ø10cm, of which 2 lock.
- ▶ Easy to assemble.



| Type          | White frame & light grey shelves product code | Net weight in kg |
|---------------|---|------------------|
| Classico 1500 | 11200006                                      | 15               |

## ■ Stabilo



- ▲ Extremely stable, height adjustable overhead projector table with one fixed and three flexible side shelves.

### Features

Solid OHP table with various (work) shelves.

Height adjustable OHP shelf for ideal working posture.

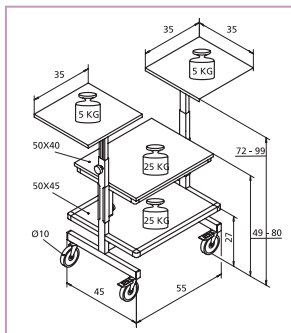
Fixed lower shelf and two side shelves with side and height adjustment.

High load bearing capacity is suitable for all OHP projector types.

Large wheels provide easy mobility.

### Technical characteristics

- ▶ Sturdy steel frame, powder coated in white (RAL 9016).
- ▶ Stylish easy-to-clean shelves in light grey (RAL 7035).
- ▶ Large wheels Ø10cm, of which 2 lock.
- ▶ Easy to assemble.



| Type         | White frame & light grey shelves product code | Net weight in kg |
|--------------|---|------------------|
| Stabilo 1500 | 11200003                                      | 16               |

## ■ Solo



- ▲ Overhead projector table with one continuous height adjustable shelf.

### Features

Compact, portable OHP table.

Easy and continuous height adjustment.

Top shelf offers space for all contemporary (OHP) projectors.

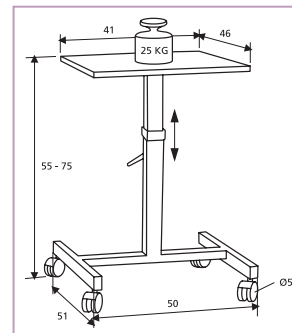
Four casters make moving a snap.

### Options

- ▶ White frame with light grey shelves.

### Technical characteristics

- ▶ Sturdy steel frame, powder coated in white (RAL 9016).
- ▶ Stylish easy-to-clean shelves in light grey (RAL 7035).
- ▶ Easy to assemble.



| Type      | White frame & light grey shelves product code | Net weight in kg |
|-----------|---|------------------|
| Solo 1000 | 11200023                                      | 8                |